

TBI TRANSFORMER BOBBIN INDUSTRIAL CO., LTD.

Phone : 886-2-22929999 Fax : 886-2-22925236
E-MAIL: tb6688@ms46.hinet.net

REVISIONS

REV	SYM	DRAFTER	CHECKER	DATE
△		T.S.LII	W.H.HSU	03/15/01
△		T.S.LII	W.H.HSU	04/23/03
△		T.S.LII	W.H.HSU	04/25/03

A

A

B

B

C

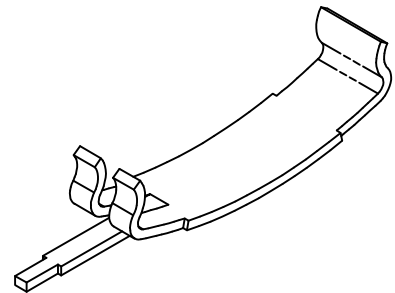
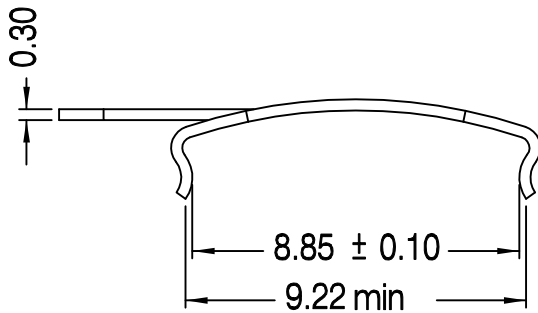
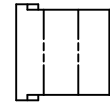
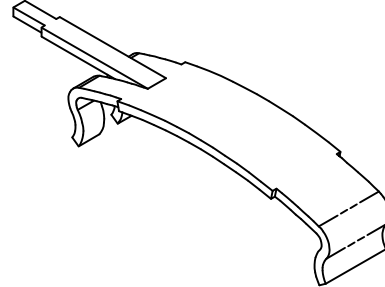
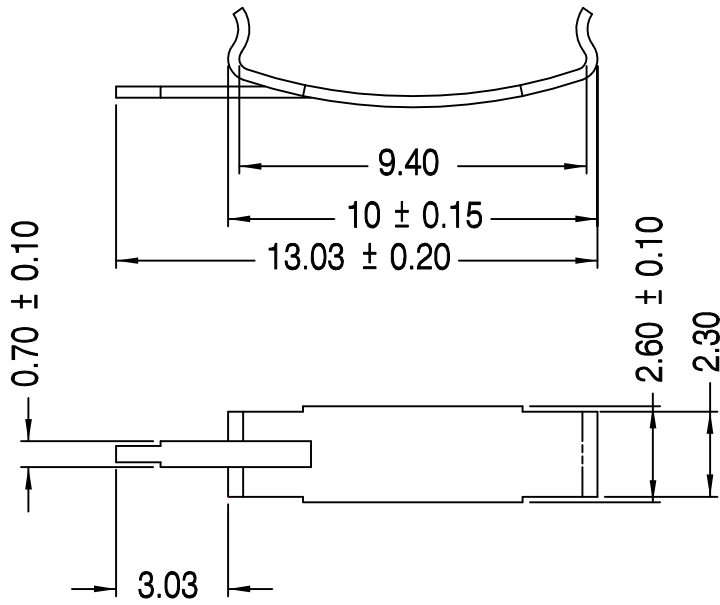
C

D

D

E

E



PART NO.	RM5 TH CLIP							
DWG NO.	TBI-408-03011.2							
TBI NO.	MATERIAL (CLIP)	MATERIAL (TERMINAL)						
408-03011.2	K7	Sn/Pb		PART NO.	REV	MODE NO	PIN LOCATION	
				Finish: 1-1. Immersion gold on terminal. Thickness gold 0.075 μm (3 μ inches) min, Base nickel 0.625 μm (25 μ inches) min. 1-2. Immersion Sn on terminal. Thickness Sn 4 μm (160 μ inches) min, 1-3. Terminal: Sn/Pb plating, 90/10, 5 μm (200 μ inches) min Base nickel 0.625 μm (25 μ inches) min. 2. Coplanarity deviation: 0.004 inches max.			TOLERANCE	.X± .X X±
							UNIT	m/m
							SCALE	5 : 1
							REV	3

F

F