

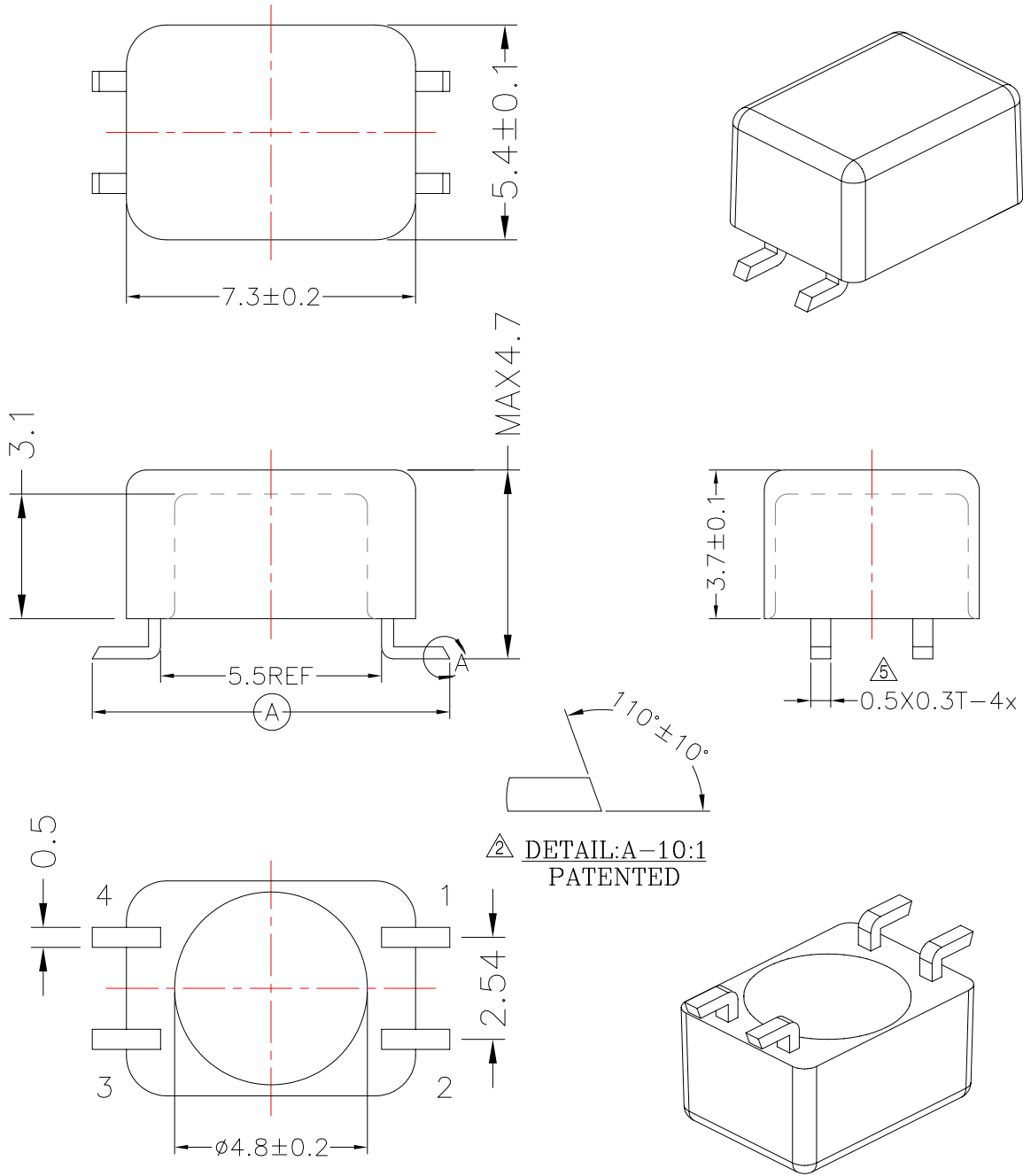


TRANSFORMER BOBBIN
INDUSTRIAL CO.,LTD.

Tel : 86-769-88789999 Fax : 86-769-88789989
http://tbi-tw.com e-mail : tb6688@ms46.hinet.net

REVISIONS

REV	SYM	DRAFTER	CHECKER	DATE
①		T.S.LII	W.H.HSU	07/18/06
②		T.S.LII	W.H.HSU	04/02/07
③				



DWG NO. C005-4P-L-2.54-A-1

PART NO.	MATERIAL (BOBBIN)	MATERIAL (TERMINAL)	TERMINAL (PLATING)	PIN ALLOCATION	NOTE
TBI-113-05011.103	PM-9630JT	PB (C5191)	Sn	ALL PIN (A) = 8.9 ± 0.2	
② TBI-113-05011.113	PM-9630JT	PB (C5191)	Sn	ALL PIN (A) = 7.5 ± 0.2	

TOLERANCE: .X \pm 0.15 .XX \pm 0.10 .XXX \pm 0.05 UNIT : m / m SCALE 6 : 1

Finish: 1. PB wire Immersion Sn on terminal : Thickness:Sn plating,100,5 μ m (200 μ inches) min,Base nickel 0.625 μ m (25 μ inches) min.
2. CP wire Immersion Sn on terminal : Thickness:Sn plating,100,5 μ m (200 μ inches) min.
3. Coplanarity deviation: 0.10 mm (0.004 inches) max.

REV 2