

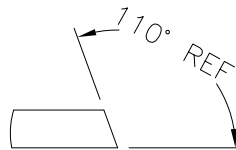
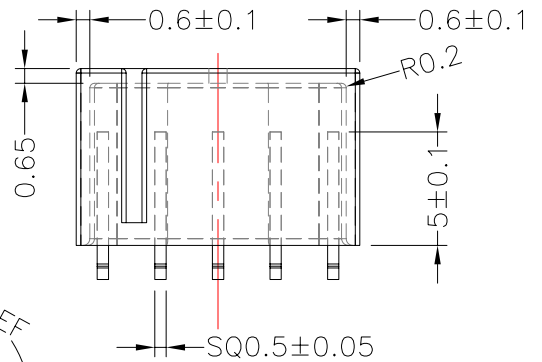
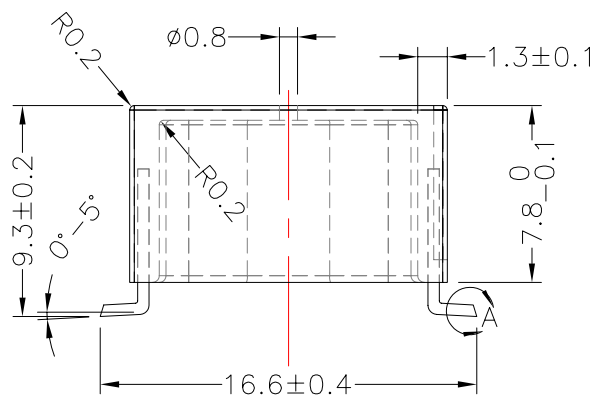
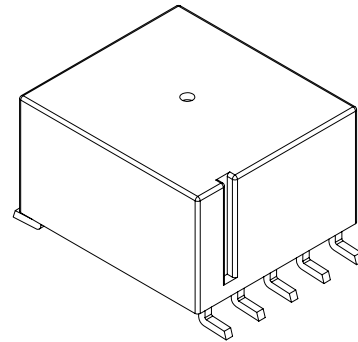
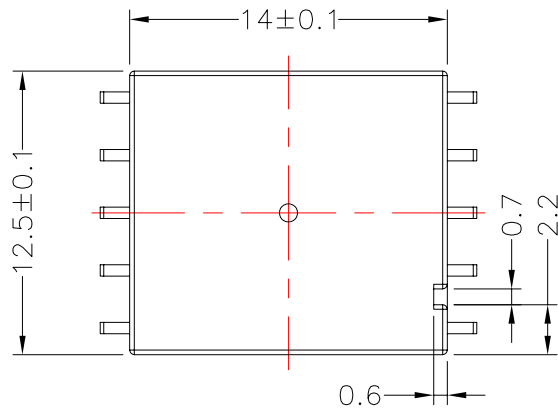


TRANSFORMER BOBBIN  
INDUSTRIAL CO.,LTD.

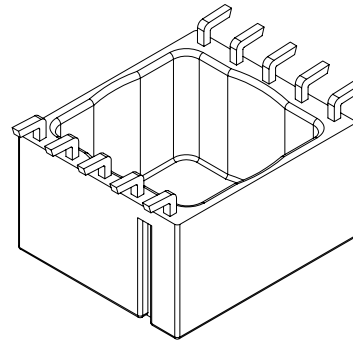
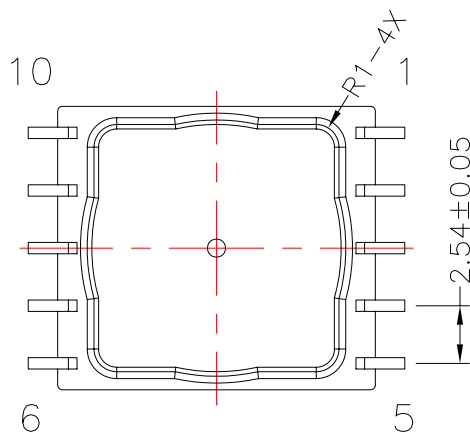
Tel : 86-769-88789999 Fax : 86-769-88789989  
http:// tbi-tw.com e-mail : tb6688@ms46.hinet.net

REVISIONS

REV	SYM	DRAFTER	CHECKER	DATE
①		S.Y.TANG	G.F.YANG	07/02/08
②				
③				

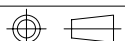


DETAIL:A  
PATENTED



DWG NO. 54GTR20-10P-L-2.5-E-11

PART NO.	MATERIAL (BOBBIN)	MATERIAL (TERMINAL)	TERMINAL (PLATING)	PIN ALLOCATION	NOTE
TBI-113-21051.1103	PM-9630JT	P.B	Sn	ALL PIN	
TBI-113-21051.1113	PM-9630JT	P.B	Sn	CUT PIN#3,8	54GTR20SEA01
TBI-113-21051.1123	PM-9630JT	P.B	Sn	CUT PIN#2,3,4,7,8,9	54GTR20SAA01



TOLERANCE : .X ±0.15 .XX ±0.10 .XXX ±0.05

UNIT : m / m

SCALE 3 : 1

Finish: 1. Pb wire Immersion Sn on terminal : Thickness:Sn plating,100,5 μm (200 μ inches) min,Base nickel 0.625 μm (25 μ inches) min.  
2. CP wire Immersion Sn on terminal : Thickness:Sn plating,100,5 μm (200 μ inches) min.  
3. Coplanarity deviation: 0.10 mm (0.004 inches) max.

REV 1