

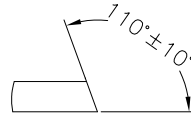
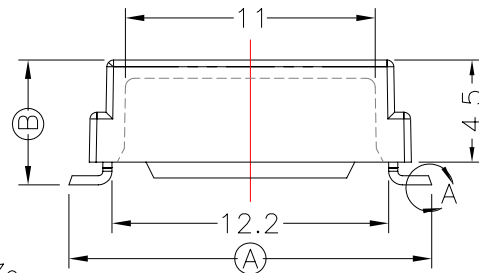
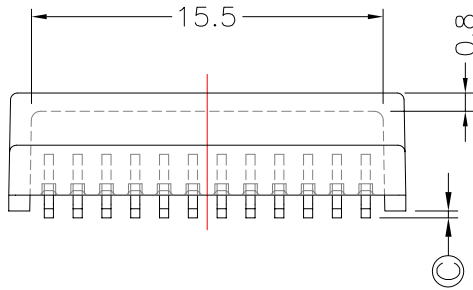
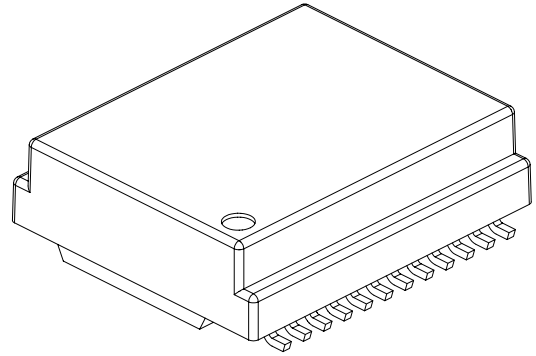
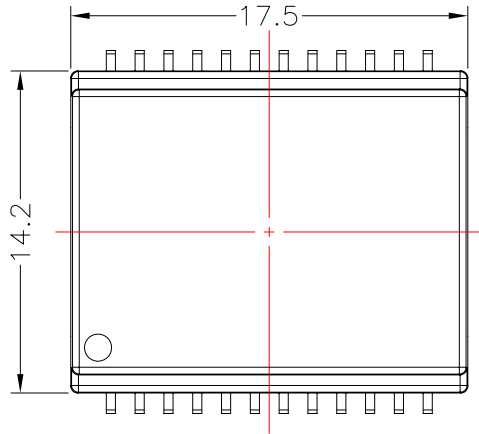


**TRANSFORMER BOBBIN
INDUSTRIAL CO.,LTD.**

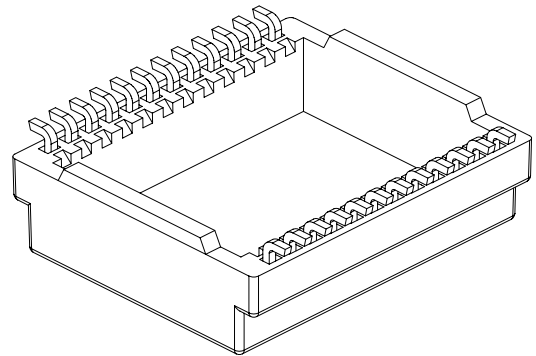
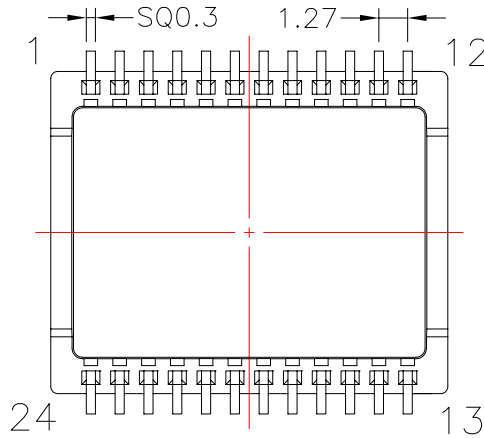
Tel : 86-769-88789999 Fax : 86-769-88789989
http:// tbi-tw.com e-mail : tb6688@ms46.hinet.net

REVISIONS

| REV | SYM | DRAFTER | CHECKER | DATE |
|-----|-----|----------|----------|----------|
| ① | | YAN.TANG | G.F.YANG | 02/04/09 |
| ② | | | | |
| ③ | | | | |



DETAIL A-10:1
PATENTED



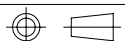
DWG NO. C1217-24P-L-1.27-B-11

| PART NO. | MATERIAL (BOBBIN) | MATERIAL (TERMINAL) | TERMINAL (PLATING) | PIN ALLOCATION | NOTE |
|----------|-------------------|---------------------|--------------------|----------------|------|
|----------|-------------------|---------------------|--------------------|----------------|------|

| | | | | | |
|--------------------|-----------|----|----|--|---|
| TBI-113-29021.1103 | PM-9630JT | PB | Sn | ALL PIN(A)=16.0±0.15 (B)=5.4±0.15(C)=0.2 | S |
|--------------------|-----------|----|----|--|---|

| | | | | | |
|--------------------|-----------|----|----|---|---|
| TBI-113-29021.1113 | PM-9630JT | PB | Sn | ALL PIN(A)=15.24±0.15 (B)=5.4±0.15(C)=0.2 | H |
|--------------------|-----------|----|----|---|---|

| | | | | | |
|--------------------|-----------|----|----|---|--|
| TBI-113-29021.1123 | PM-9630JT | PB | Sn | ALL PIN(A)=16.0±0.15 (B)=6.0±0.15 (C)=0.8 | |
|--------------------|-----------|----|----|---|--|



TOLERANCE: .X±0.15 .XX±0.10 .XXX±0.05

UNIT : m / m

SCALE 3 : 1

Finish: 1. PB wire Immersion Sn on terminal : Thickness:Sn plating,100,5 μm (200 μ inches) min,Base nickel 0.625 μm (25 μ inches) min.
2. CP wire Immersion Sn on terminal : Thickness:Sn plating,100,5 μm (200 μ inches) min.
3. Coplanarity deviation: 0.10 mm (0.004 inches) max.

REV 1